

Oral Strip Converting System

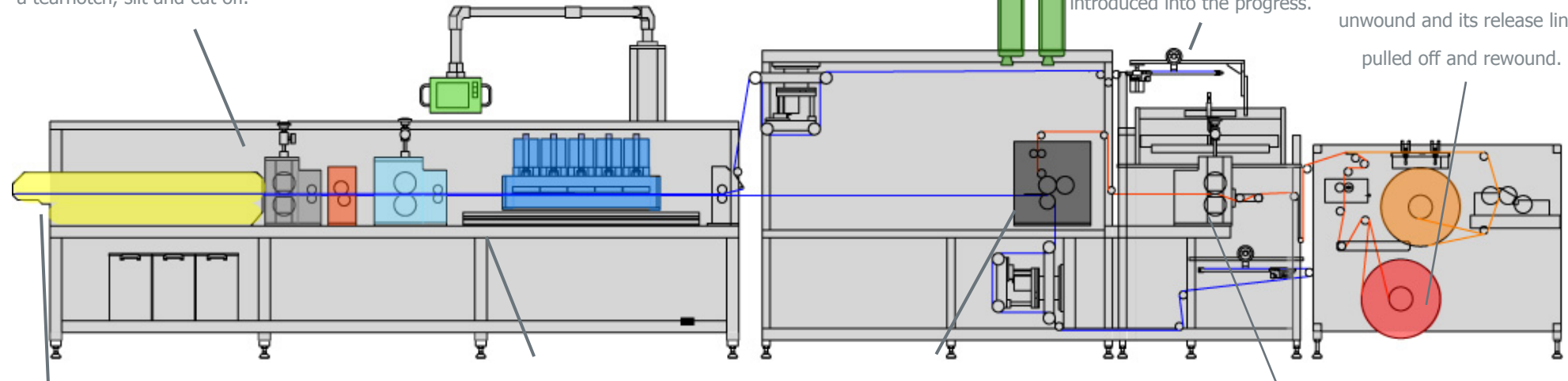
TECHNICAL INFORMATION

The sachets are supplied with a tearnotch, slit and cut off.

A laser printer prints on the upper packaging web.

The packaging web is unwound by an Autosplice module at the back of the machine and introduced into the progress.

The medicated film is unwound and its release liner pulled off and rewound.



A QA conveyor enables the collection of samples for quality control.

A platen sealing head seals the strips into single-dose sachets.

The strips are placed onto the lower packaging web.

The film is slit and cut into little strips.

← Process Direction

Model	Oral Strip Converting System
Lanes	up to 8 lanes
Product length	~25mm – 50mm
Product width	~9mm – 50mm
Speed per lane	up to 200 products / min
Web Roll Spec	Product Film: ~ 76mm or 152mm core, 203mm wide, 457mm Diameter, 41kg
	Sachet Stock: ~ 76mm core, 812mm wide, 711mm Diameter, 136kg
Dimensions (approx.)	~ L 9150mm x W 3960mm x H 2440mm)
Weight (uncrated)	~1600kg

Europe
Doyen Medipharm Ltd
 Gateway 11 Business Park, Copper Smith Way,
 Wymondham, Norfolk, NR18 0WY, UK
 Tel: (+44) 01953 600078 - Fax: (+44) 01953 605069
 sales@doyenmedipharm.co.uk

North & South America
Doyen Medipharm LLC
 625 McCue Road, Suite 20,
 Lakeland, Florida 33815, USA
 Tel: (+1) 863-683-6335 - Fax: (+1) 863-683-6857
 salesUS@doyenmedipharm.com

Asia
Doyen Medipharm Ltd
 5008 Jalan Lunas, First Floor, Batu 2 1/2
 Kulim, Kedah Darul Aman, Malaysia
 Tel: (+604) 495 1619 - Fax: (+604) 495 1697
 Mohan@DoyenMY.com



www.doyenmedipharm.com